

2002 AquaSmart



2002 AquaSmart

Flow-regulated micro-sprinkler for optimal undertree irrigation

- Constant flow between 1.5 - 4.0 bar pressure
- Uniform irrigation and fertigation at all topographical conditions
- Wide range of flow rates and distribution patterns
- Insect-proof pop-up swivel
- Sturdy and solid structure
- Easy to dismantle and assemble
- Innovative spike



2002 AquaSmart

Technical data

- Operating pressure: 1.2 to 4.0 bar
- Flow rate: 20 to 95 l/h
- Wetted diameters: 3.0 to 7.5 m
- Special swivel (green) for inverted operation
- Two-stage wetted diameter control
- Clogging resistant even at lowest flow rates
- New spike with locking clip and water-stop aid

Irrigation uniformity

Nozzle colour	Flow rate (l/h)	Nozzle ø (mm)	Swivels - Wetted diameter (m)				
			Orange*	Black	Blue	Red	Green**
Violet	20	0.84	3.0	3.5	4.0***		5.0
Gray	28	1.00	3.0	4.0	4.5***		5.0
Brown	35	1.10	3.5	4.0	5.0		6.0
Blue	47	1.25	4.0	5.0	5.0	6.0***	6.0
Green	55	1.33	4.5	5.0	5.5	6.5	6.0
Orange	70	1.48		5.0	6.0	7.0	6.5
Yellow	95	1.75		5.5	6.5	7.5	6.5

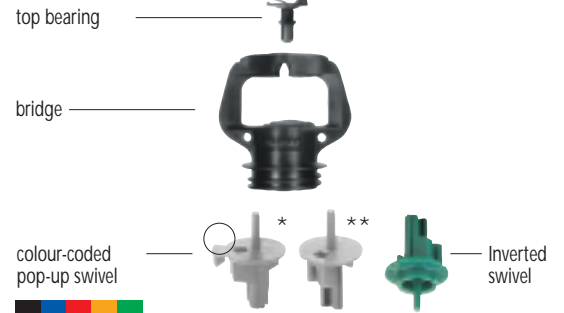
All swivels tested at 0.25 m above ground

* Single stage (no diameter limiter)

** Green swivel tested at 1.2 m above ground

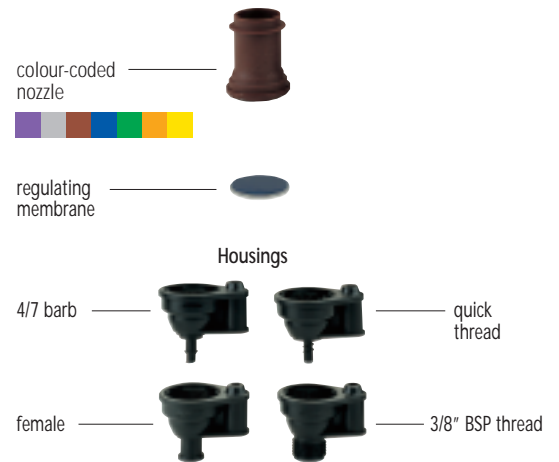
*** To be used only without diameter limiter

Components

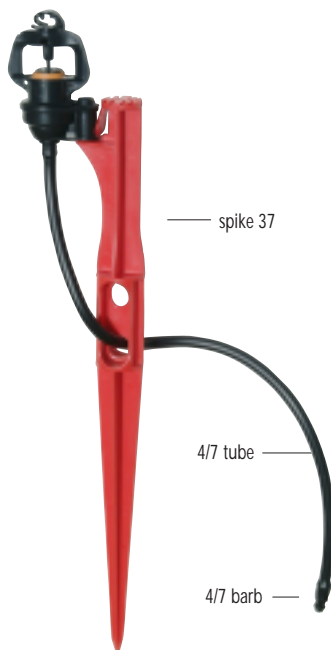


* 1st stage: with diameter limiter, for young trees

** 2nd stage: break off the diameter limiter, for mature trees



Standard Assemblies



Flow vs. pressure

